

AerVision  
Technologies

# AerPalm

Hand palm biometric authentication  
and access control device

# AerPalm

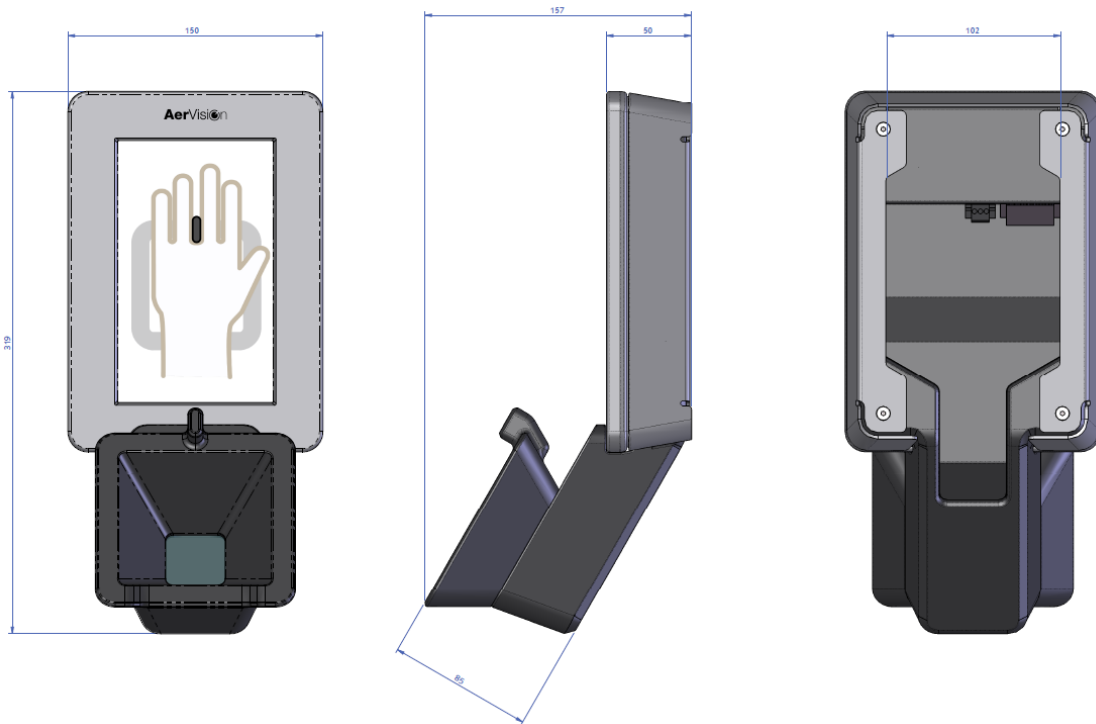
## Hand palm biometrics authentication and access control device



- AerPalm is a highly reliable, easy to configure, and cost effective biometrics authentication and access control device. AerPalm's state of the art hand-palm sensor captures an infrared image from user's hand-palm vein's unique pattern in a fraction of a second. This serves as an extremely accurate biometric template, with liveness test.
- AerPalm is configurable to operate in standalone mode, or centralized mode co-exist with building management and access control systems.
- AerPalm's also can communicate to third party applications through a well designed, yet simple, service oriented architecture, XML and JSON messaging. A rich library of sample applications with source code is available for AerPalm enterprise users and add value partners.

# AerPalm

## Hand palm biometrics authentication and access control device



<b>Dimensions</b>	150mm (width), 319mm (height), 157mm (depth)
<b>Material</b>	Power coated Aluminum with dust seal on LCD
<b>Display</b>	7" LCD, Capacitive touch display
<b>Power consumption</b>	15W max
<b>Operating voltage</b>	PoE or 12V DC in
<b>Mounting</b>	On the wall or on a stand
<b>Ports</b>	RJ45, RJ45 PoE, USB
<b>Access control interfaces</b>	OSDP, Wiegand + DIO
<b>Matching Capacity</b>	Up to 5000, single-factor Up to 50000, multi-factor (using proximity card or mobile app) Unlimited, if data stored on the card
<b>Throughput</b>	< 0.5 seconds, single-factor < 0.1 seconds, multi-factor
<b>Accuracy</b>	0.000001% FAR, 0.01% FRR
<b>Warranty</b>	3 years RTB warranty
<b>Integration</b>	On device Restful API, Built-in AerID Server connectivity